

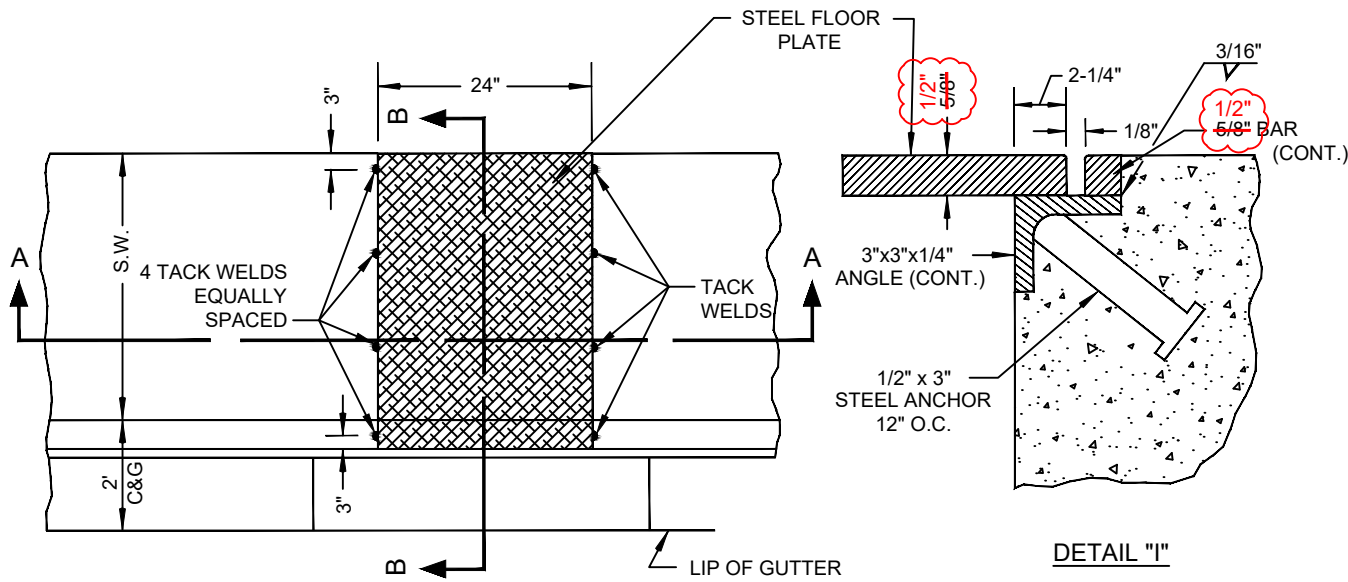
REQUEST FOR COMMENTS

UNIFORM STANDARD DRAWING NO. 236, "SIDEWALK DRAIN"

The Specifications Subcommittee of the Executive Advisory Committee to the Regional Transportation Commission of Southern Nevada has approved a proposed revision to Uniform Standard Drawing No. 236 of the Uniform Standard Drawings for Public Works Construction Offsite Improvements, Clark County, Nevada to undergo an industry review process. The proposed revision will reduce the thickness of the steel floor plate.

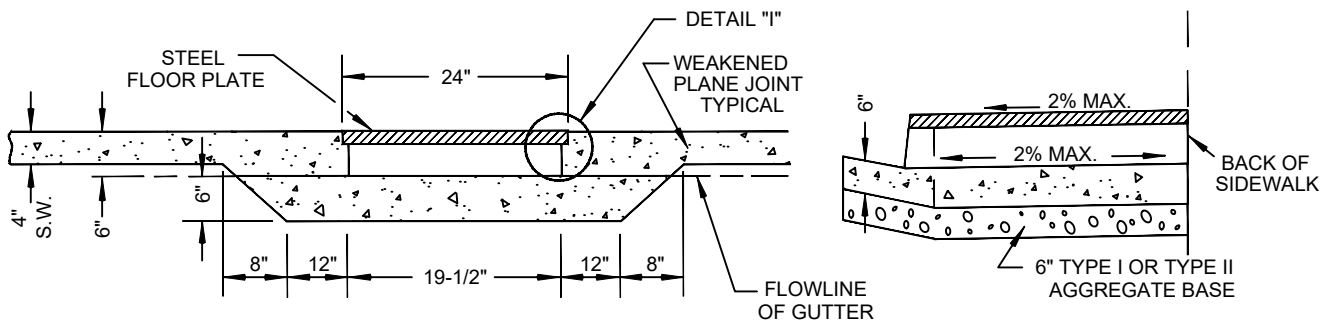
Please submit comments on the proposed revision to ccstandards@rtcsonv.com by Wednesday, June 14, 2023. The proposed revision will be placed on the agenda of the Executive Advisory Committee on Thursday, June 29, 2022, at 9:15 a.m. in Room 108 of the RTC Administration Building. You are welcome to attend this meeting and discuss your concerns.

If you have questions, please contact Julia Uravich, RTC Streets and Highways, at (702) 676-1958 or uravichj@rtcsonv.com.



PLAN

DETAIL "I"



SECTION A-A

SECTION B-B

NOTES

1. IF WIDTH OF PLATE IS GREATER THAN 24", A SPECIAL DESIGN IS REQUIRED.
2. ALL EXPOSED METAL PARTS SHALL BE GALVANIZED, AND ALL GALVANIZING DAMAGED BY FABRICATION OR INSTALLATION SHALL RECEIVE TWO COATS OF ALUMINUM PAINT (GALVONOX OR EQUAL). EXPOSED METAL PARTS IN THE PEDESTRIAN ACCESS ROUTE SHALL BE FIRM, STABLE, AND SLIP-RESISTANT.
3. TACK WELDS BETWEEN SIDEWALK AND STEEL PLATE FLOOR WITHIN PEDESTRIAN ACCESS ROUTES SHALL HAVE NO VERTICAL SURFACE DISCONTINUITIES GREATER THAN 1/4", REGARDLESS OF CONSTRUCTION TOLERANCES.

AGENCY APPROVED		B	C	H	L	M	N	R
SPECIFICATION REFERENCE		UNIFORM STANDARD DRAWINGS CLARK COUNTY AREA						
302	BASE AGGREGATES	SIDEWALK DRAIN						
501	CONCRETE							
710	STRUCTURAL STEEL							
DATE XX-XX-XX		DWG. NO. 236						